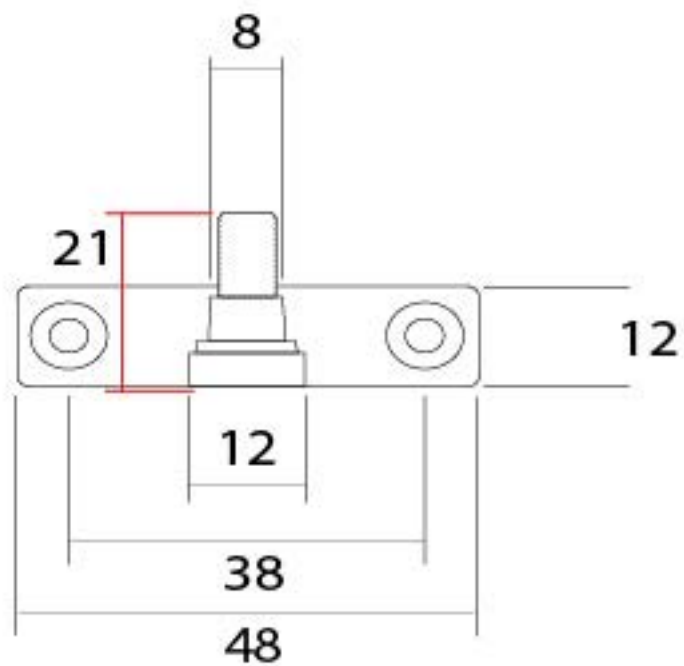
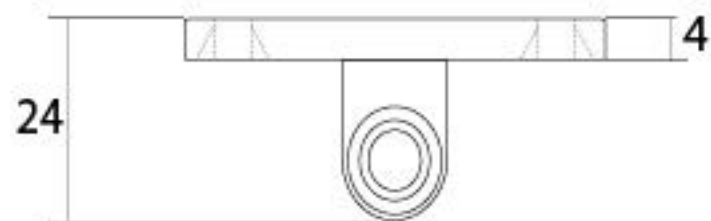


PRODUCT CODE 33460



3/4" (19mm)
x2
gauge 8 (4mm)

Detail of a mesh or screen. It shows a rectangular section with a mesh pattern. The width is 3/4" (19mm) and the height is 4mm (gauge 8). The mesh is repeated twice (x2).



HANDFORGED
TRADITIONAL
IRONMONGERY



Due to the hand crafted nature of our products all measurements are approximate and should be used as a guide only