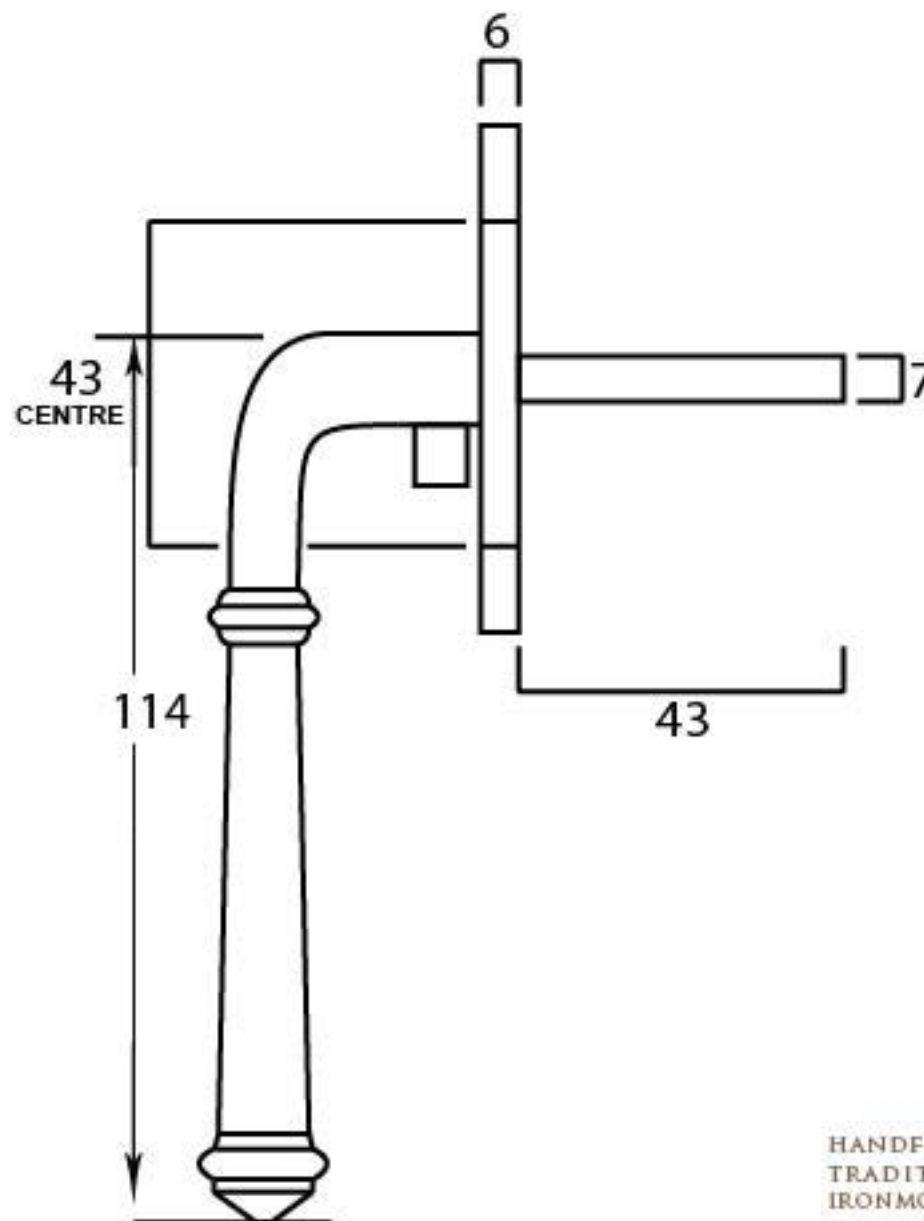
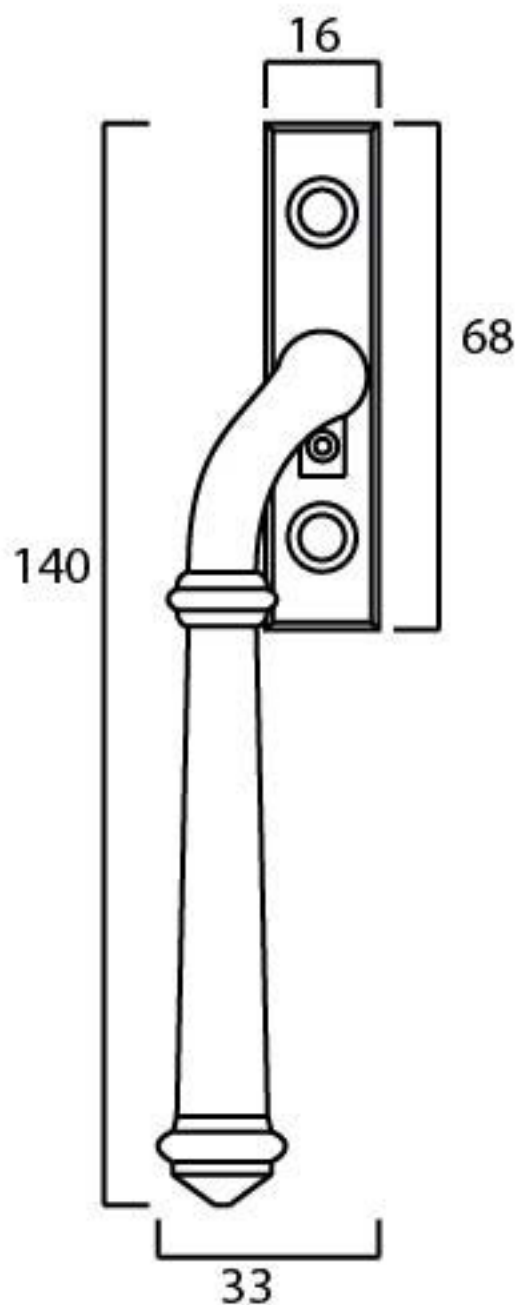


PRODUCT CODE 45136



M5 x 40 Machine Screws



HANDFORGED  
TRADITION L  
IRONMONGERY



Due to the hand crafted nature of our products all measurements are approximate and should be used as a guide only