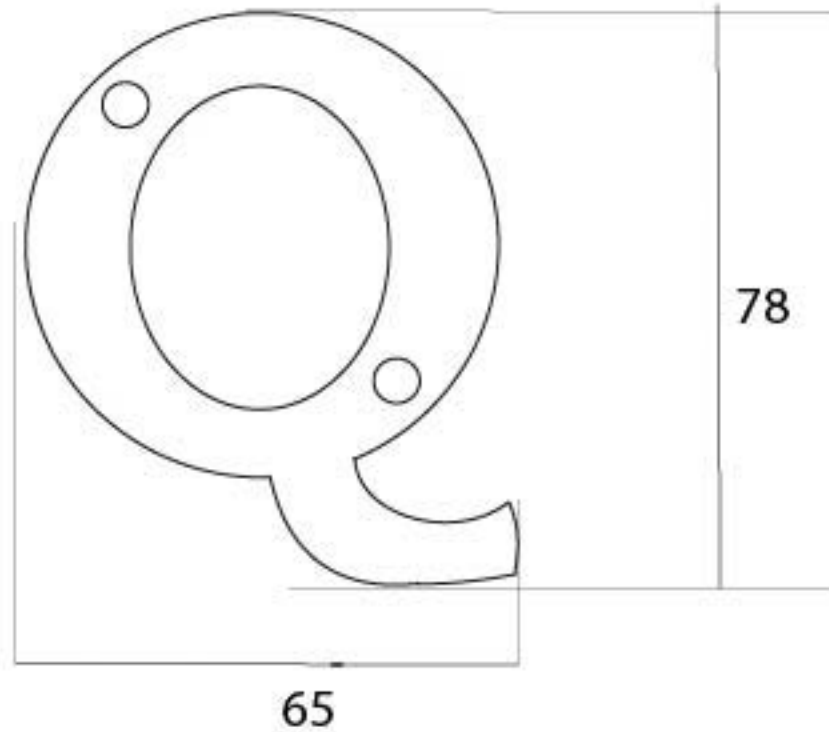


PRODUCT CODE 92031Q

3/4" (19mm)
x2
gauge 8 (4.2mm)



HANDFORGED
TRADITIONAL
IRONMONGERY



Due to the hand crafted nature of our products all measurements are approximate and should be used as a guide only