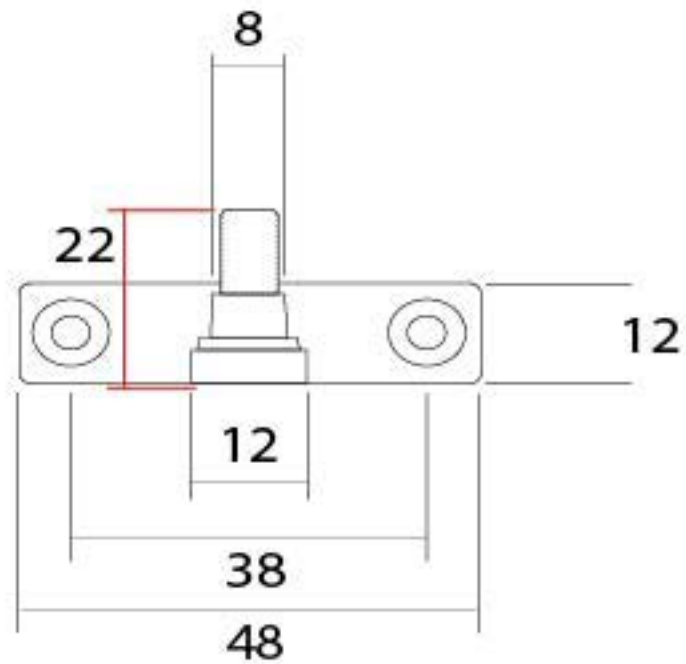
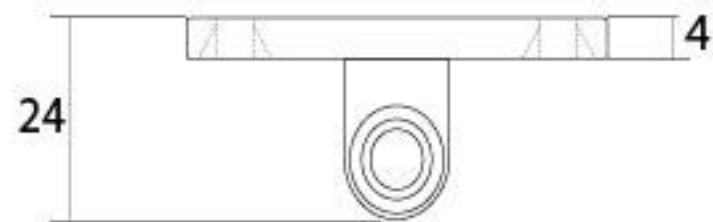


PRODUCT CODE 92039



3/4" (19mm)
x2
gauge 8 (4mm)

Detail drawing of a mesh or screen. The drawing shows a rectangular section of the mesh with a width of 3/4 inch (19mm) and a height of 2 units. The mesh is made of gauge 8 (4mm) wire.



HANDFORGED
TRADITIONAL
IRONMONGERY



Due to the hand crafted nature of our products all measurements are approximate and should be used as a guide only